



- Self-sufficient level measurement system
- Internal data memory for approx. 1.000.000 readings
- For use in ATEX zone 1
- Event control
- Acquisition of level and temperature readings
- Easy replacement of batteries by customer



NivuLevel 150



## NivuLevel 150

NivuLevel 150 is a self-sufficient level measurement system for use on measurement sites without public power supply. Due to very low energy consumption the system provides very long lifetimes. System programming and data readout can be carried out very easy via USB interface.

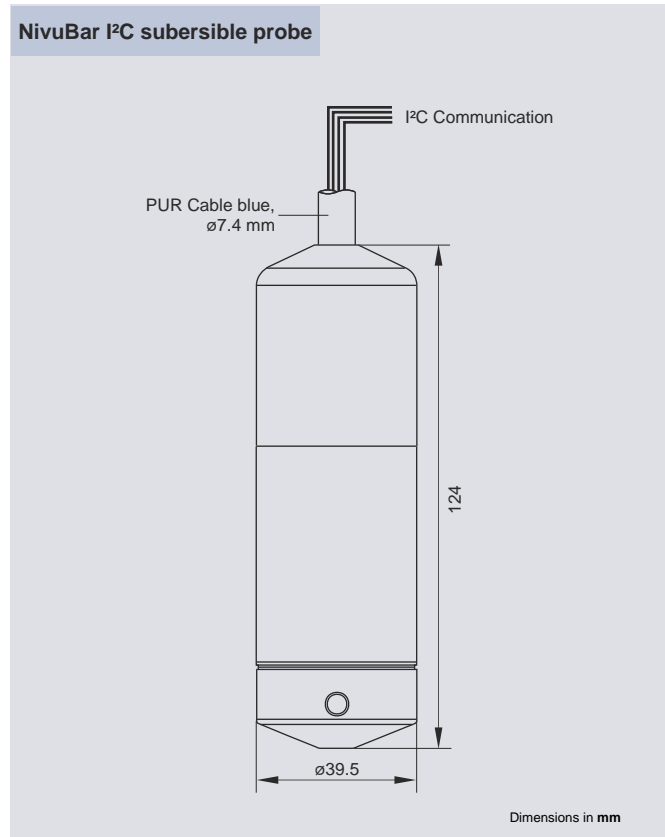
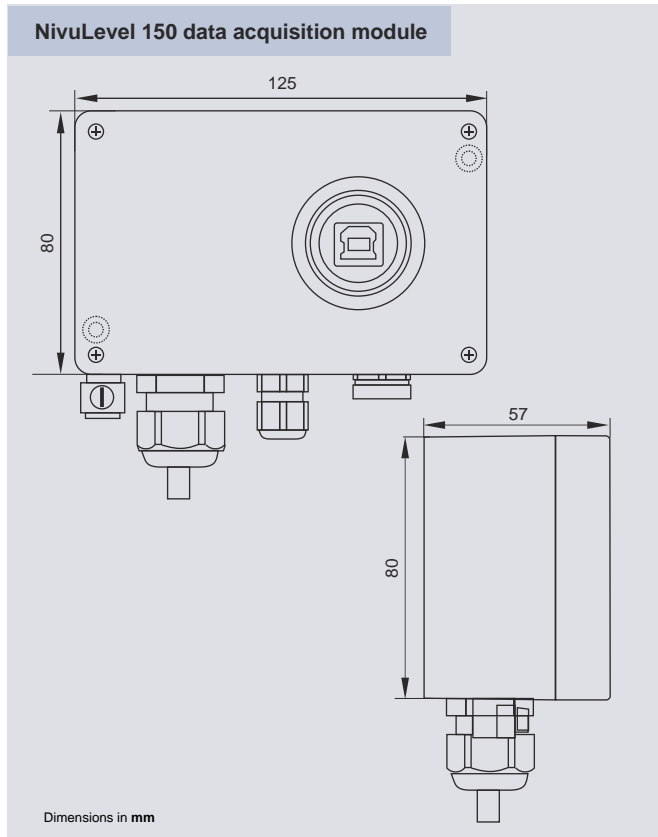
The NivuLevel 150 measurement system acquires the parameters level and temperature. It consists of a data recording module and a hydrostatic submersible pressure probe.

Depending on the memory cycle selected, the system lifetime is up to 5 years. The unit is powered using standard batteries (Type AA) which can be replaced by the user on site.

This ensures efficient and economical operation over many years. Recorded data are saved in an internal memory and can be read out using the USB interface.

The capacity of the internal memory is approx. 1.000.000 readings. Once provided as CSV files, the readings can be processed further quickly and easily.

## Specifications



| Specifications  |  |
|---|--|
| <b>Level measurement system NivuLevel 150 data recording module</b> |  |
| Power supply  | 4.5 V DC (3 x batteries type AA)                                 |
| Battery life  | with approx. 60 measurements/day (every 25 min.) approx. 5 years |
| Enclosure   | metal/plastic  |
| Weight  | approx. 500 g (without level probe)                              |
| Protection  | IP66   |
| Operating temperature   | -10°C to +55°C   |
| Storage temperature   | -20°C to +85°C   |
| Max. humidity   | 80%, non-condensing  |
| Display   | none   |
| Accuracy  | 0.25% FSO valid for pressure probe                               |
| Input interface   | 1 x I <sup>2</sup> C (pressure probe)                            |
| Output interface  | 1 x USB (FDTI chip)  |
| Data memory   | internal SD card approx. 1.000.000 readings (level/temp.)        |
| Storage cycle   | configurable from 1/min up to 1/day                              |
| Data transmission/programming                                       | via USB cable and PC software                                    |
| Data format   | CSV  |

| Specifications                               |  |
|--|--|
| <b>Submersible probe (level/temperature)</b> |  |
| Connection cable                             | Polyurethane, 6 x 0.14 mm <sup>2</sup> shielded, ø7.4 mm |
| Enclosure                                    | stainless steel 1.4404                                   |
| Weight                                       | 1200 g (incl. 10 m cable)                                |
| Dimensions                                   | length 124 mm, diameter 39.5 mm                          |
| Protection                                   | IP68   |
| Measurement ranges                           | 0-4 m / 0-10 m H <sub>2</sub> O                          |
| Cable length                                 | max. 30 m  |
| Meas. diaphragm                              | capacitive ceramic measuring cell                        |
| Operating temperature                        | measurement medium -25°C bis +70°C                       |
| Storage temperature                          | -25°C bis +70°C  |
| Max. humidity                                | 80%, non-condensing                                      |

You can find more information in the instruction manuals or under [www.nivus.com](http://www.nivus.com)